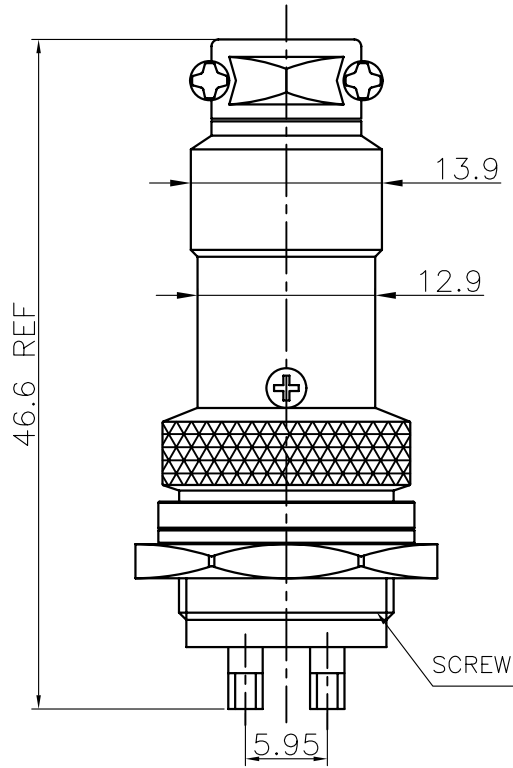


REV.	DESCRIPTION	DRAWN	CHECKED	APPROVED
A	NEW RELEASE	LJH 05/09/05'		



NOTES:

1.SPECIFICATION

- .CURRENT RATING: 5A Max.
- .DIELECTRIC WITH STANDING VOLTAGE: 500V(AC)
- .CONTACT RESISTANCE: 50mΩ Max.
- .INSULATION RESISTANCE: 1000MΩ(DC)Min

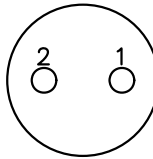
2.PRODUCT NUMBER CODE:

DS1110 - X X X

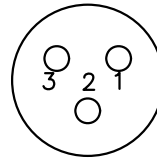
CONTACT PLATING
6: TIN

COLOR OF HOUSING:
W: WHITE
B: BLACK

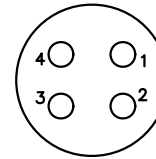
No. OF CONTACTS
2 3 4 5 6 7 8 9



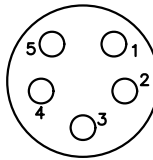
2 PIN



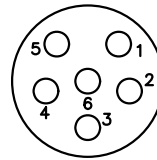
3 PIN



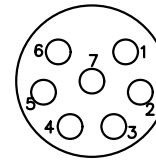
4 PIN



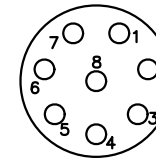
5 PIN



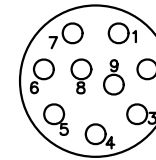
6 PIN



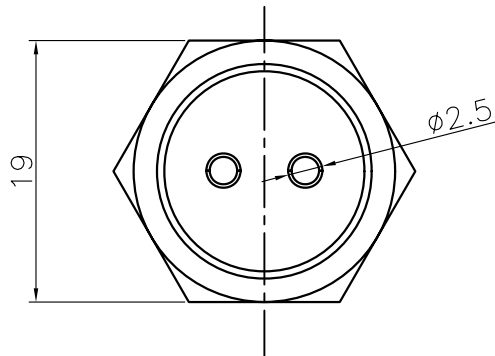
7 PIN



8 PIN



9 PIN



GENERAL TOLERANCE		ANGLE TOLERANCE		PROJECTION		TITLE	MICRO JACK CONNECTOR	
X.	±0.60	X.	±5°	UNITS	mm	SHEET	DS1110 SERIES	
.X	±0.38	.X	±3°	SHEET SIZE	A4			
.XX	±0.25	.XX	±2°					
DRAWING TYPE		CUSTOMER						
SCALE		1:1	SHEET		1 OF 1			
DRAWING NO.		C-DS1110-XXX						